

Preparation branchement Leds ...

Matériels

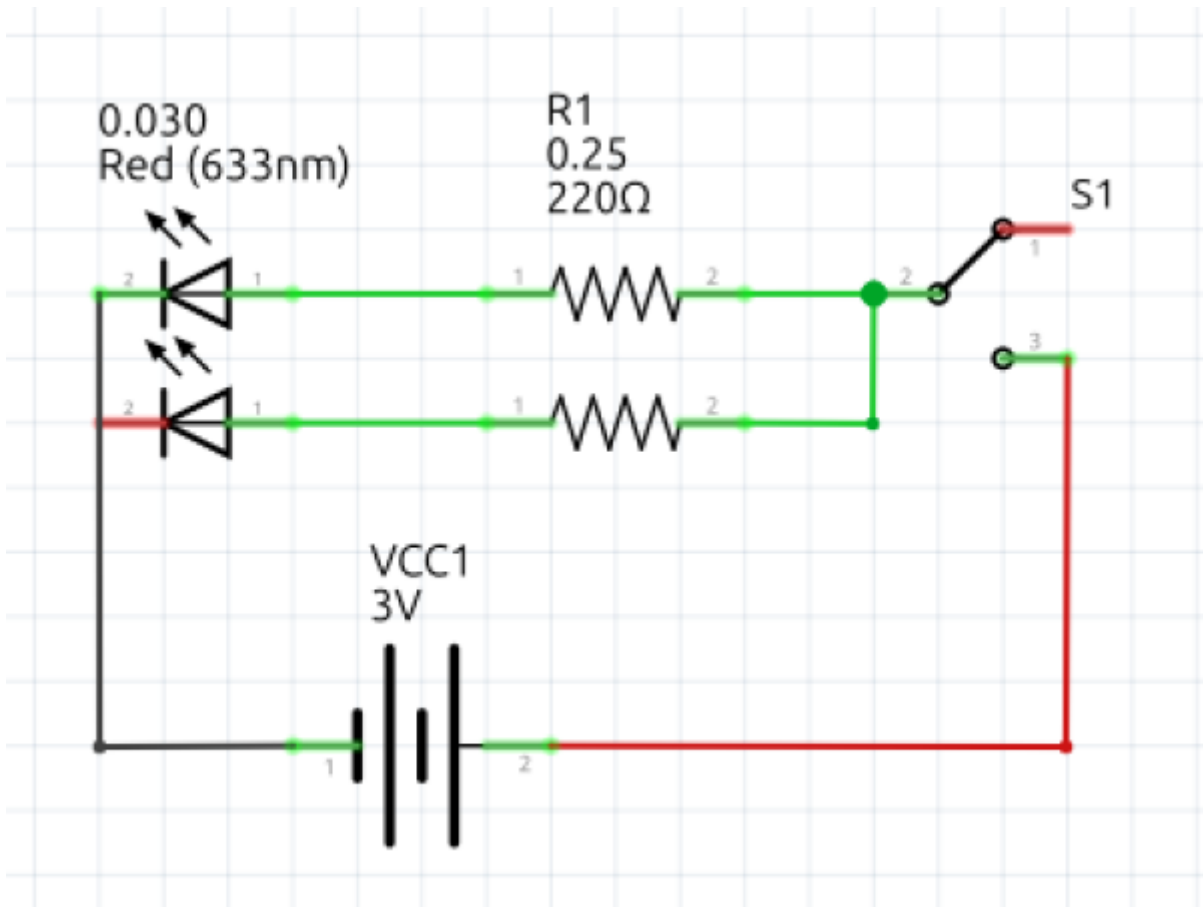
1. 2 leds
2. 2 resistances
3. la soudure
4. la gaine thermo
5. 1 mini interrupteurs

schema Principe

1 Led

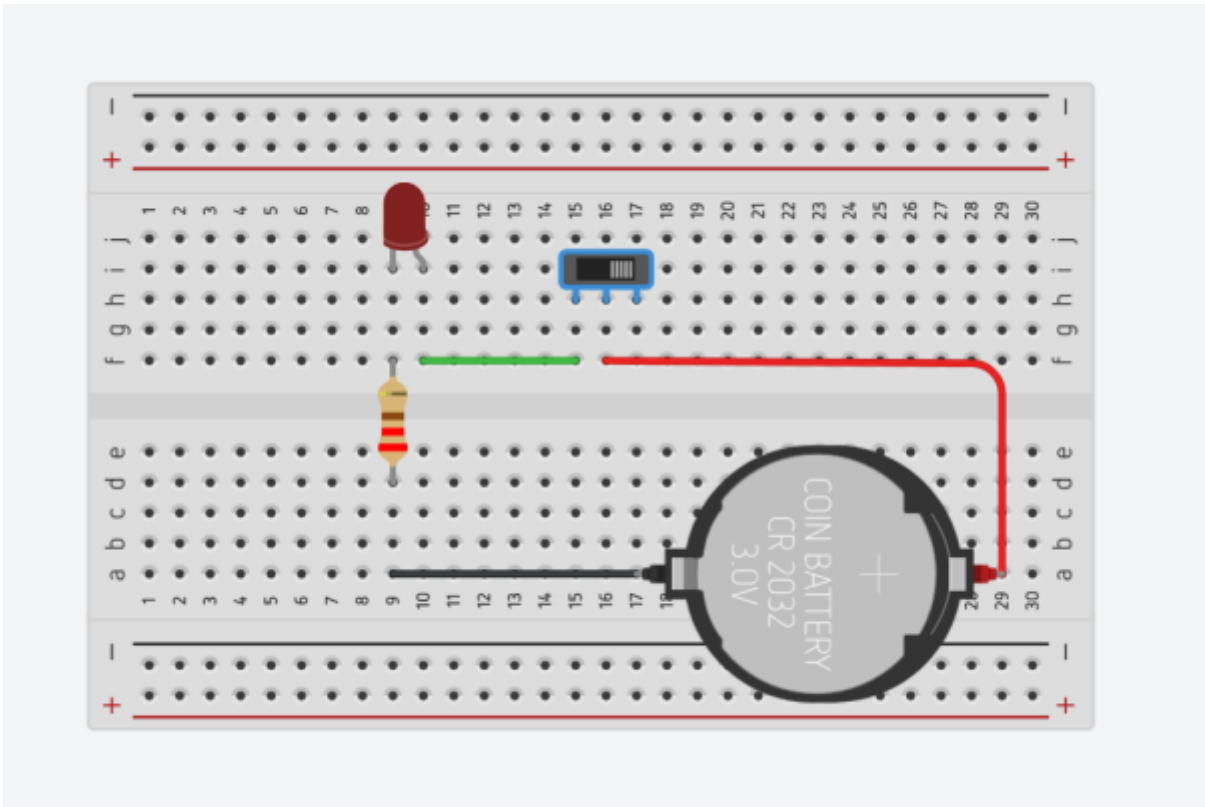


2 Leds

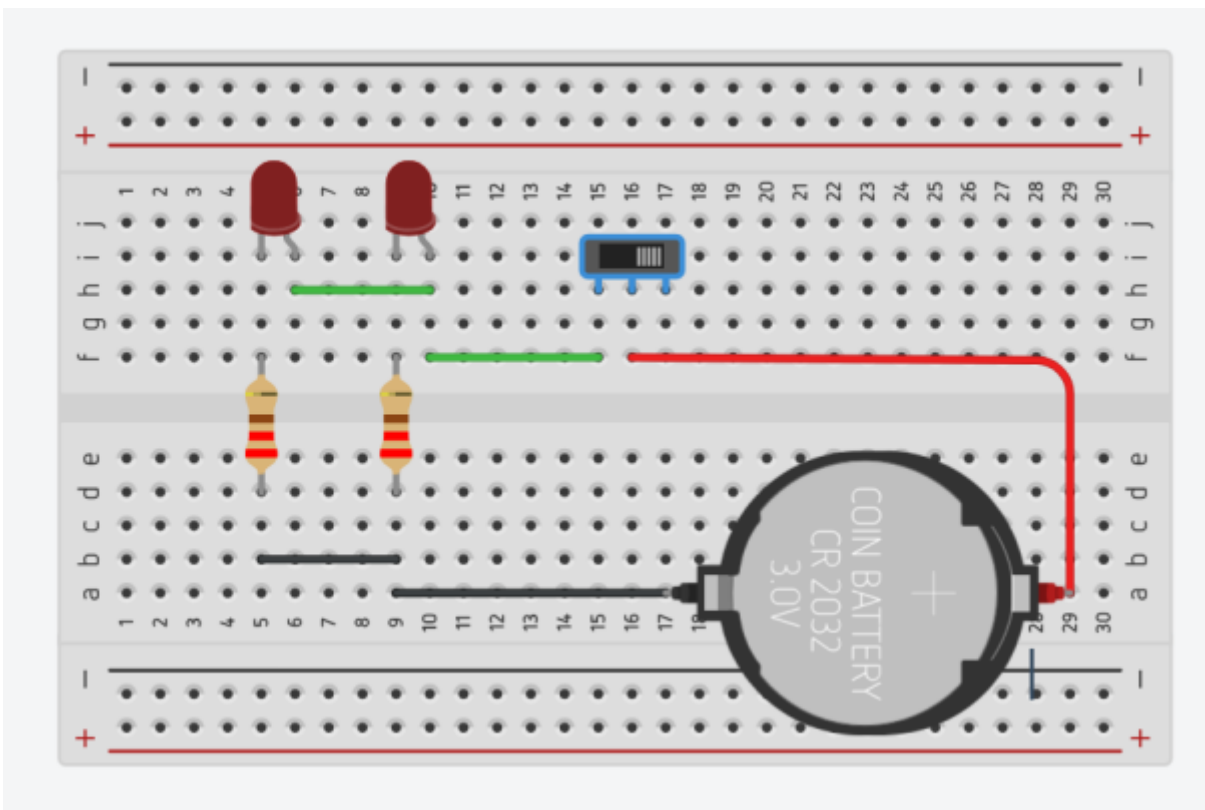


Schema cablage

1 led



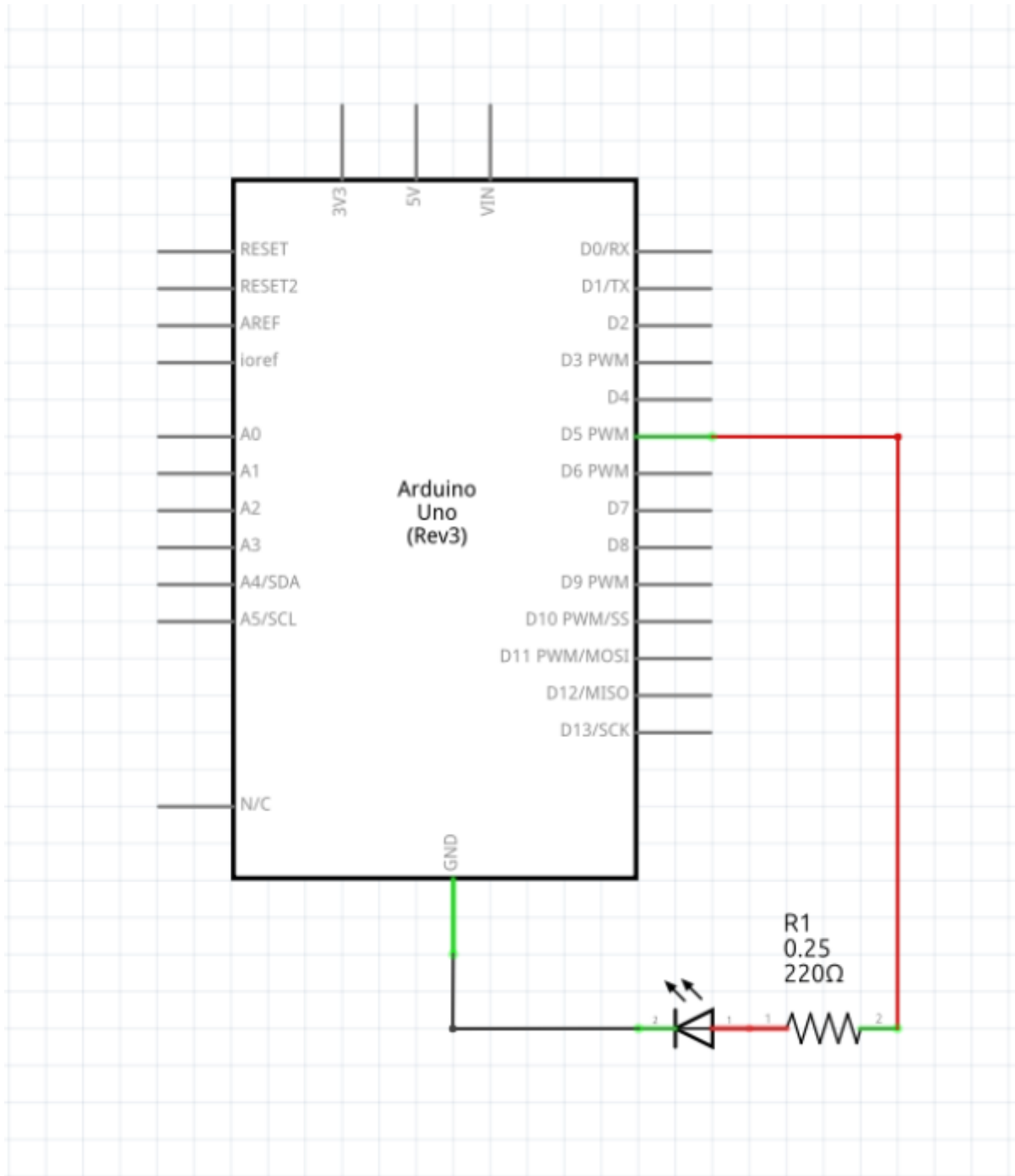
2 leds



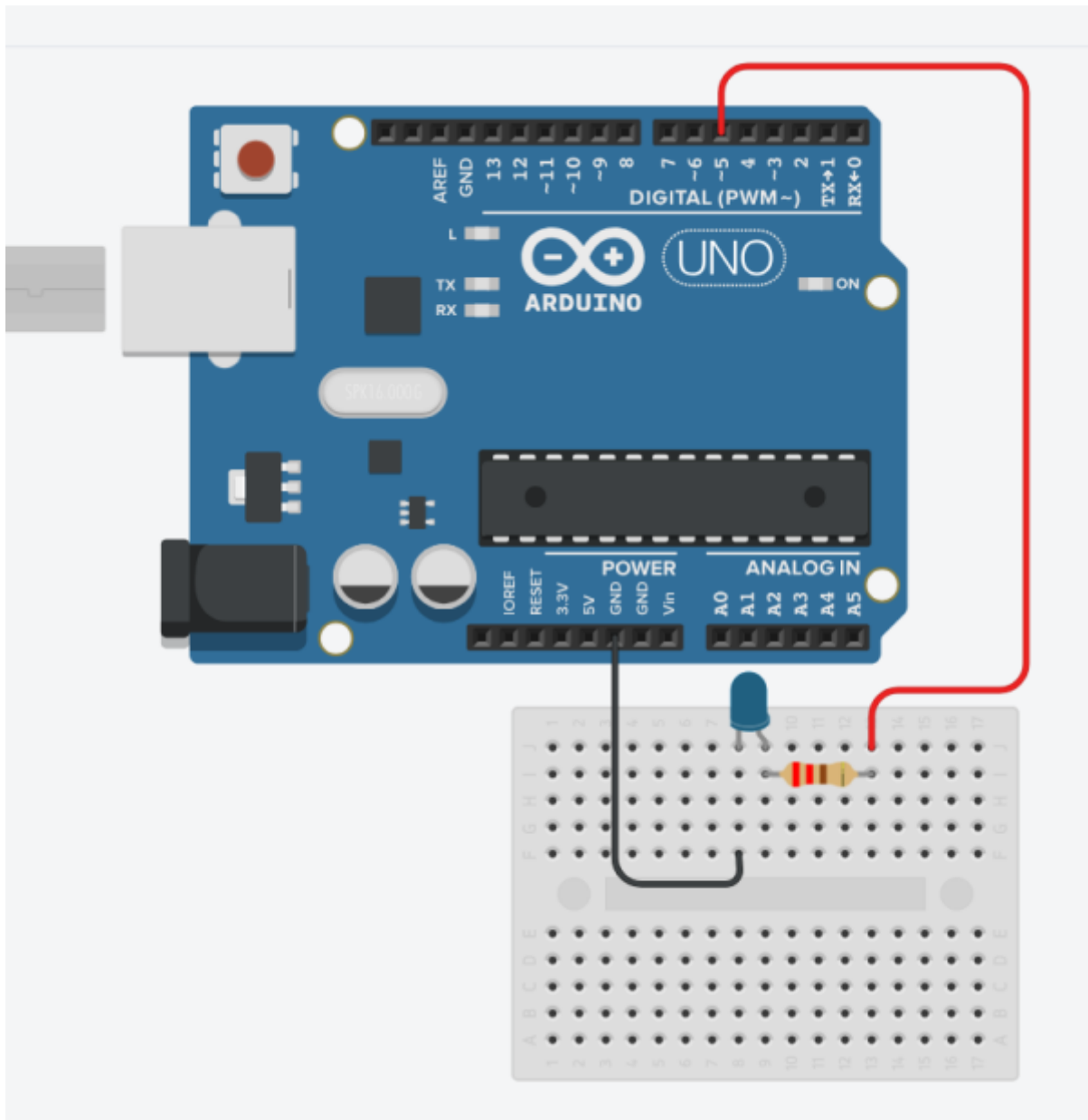
2 leds sur Tinkercad

Led Clignotante

schema principe



Schema cablage



Code

ledclignote.ino

```
// C++ code
//
void setup()
{
  pinMode(5, OUTPUT);
}

void loop()
{
  analogWrite(5, 1);
  delay(1000); // Wait for 1000 millisecond(s)
  analogWrite(5, 0);
  delay(1000); // Wait for 1000 millisecond(s)
}
```

Last update: 2025/10/01 21:27 start:jeunes:prepa:branceleds <https://www.magenealogie.chanterie37.fr/www/fablab37110/doku.php?id=start:jeunes:prepa:branceleds&rev=1759346837>

}

From: <https://www.magenealogie.chanterie37.fr/www/fablab37110/> - **Castel'Lab le Fablab MJC de Château-Renault**

Permanent link: <https://www.magenealogie.chanterie37.fr/www/fablab37110/doku.php?id=start:jeunes:prepa:branceleds&rev=1759346837>

Last update: **2025/10/01 21:27**

